

Aztech

AEK6630

Electric Kettle

USER MANUAL



PLEASE KEEP THIS USER MANUAL FOR FUTURE USE.

USER MANUAL CONTENTS

SAFETY INSTRUCTIONS.....	2
PACKAGE CONTENTS.....	4
APPLIANCE OVERVIEW.....	4
BEFORE USE.....	5
USING THE ELECTRIC KETTLE.....	5
KETTLE CARE AND CLEANING.....	7
TROUBLESHOOTING.....	7

SAFETY INSTRUCTIONS

NOTE: It is STRONGLY ADVISED to ensure that you have read all provided safety guides and operating instructions in this user manual first before proceeding.

- Should damages be found on the appliance, its power cord and/or its other components – do not use the appliance and immediately bring it to the Aztech Service Center for repair or replacement.
- Before use, please check if the power voltage of your Electric Kettle correctly corresponds to your home's power supply.
- Do not, in any kind of manner, disassemble, dismantle, and/or perform appliance repair on your own and/or replace its components using non-Aztech approved components and/or attachments.
- Do not use the appliance and/or its components for anything other than its intended purpose. The appliance is intended for household use only, commercial usage would void the warranty of the appliance.
- Do not use wet hands in inserting or removing its power adapter to prevent electrical shocks. It is recommended to thoroughly dry your hands first before every use.
- Ensure to ALWAYS position your Electric Kettle on a smooth, dry, and stable ground. Placing the appliance on unstable surfaces such as cushioned carpets and/or uneven surfaces may cause the appliance to lose its balance during operation.
- Do not position the appliance in a humid environment and/or in places exposed to multiple sources of heat such as stoves, refrigerators, or ovens. It is also important to keep it away from flammable/combustible materials such as electric burners, curtains and/or cloths especially during use.
- Always unplug the unit before cleaning, whenever filling it with water, and/or even after usage.

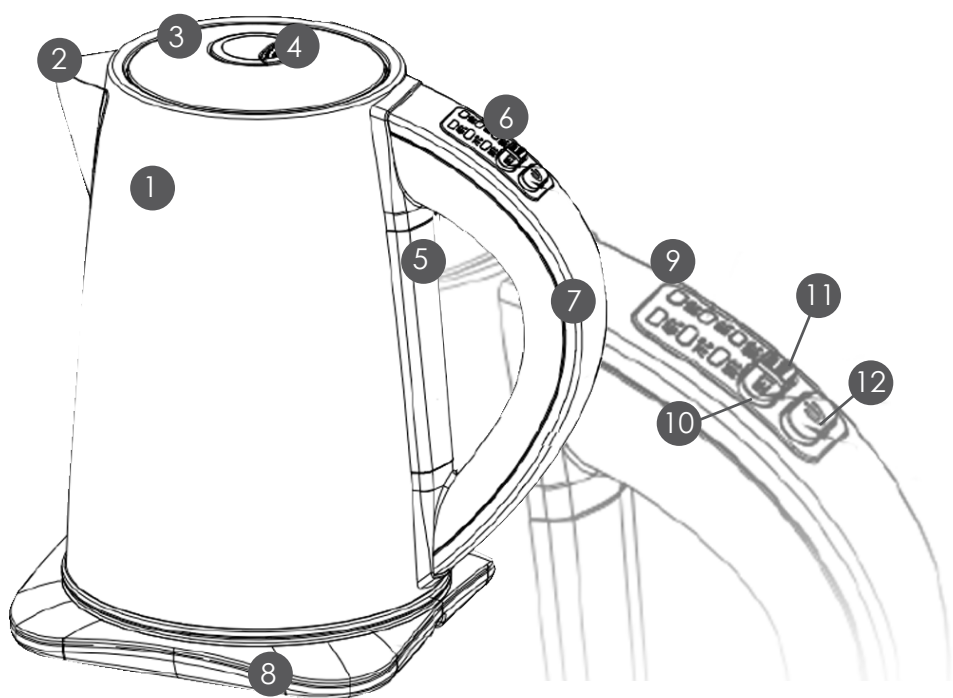
- Keep the appliance out of reach of children. If children are within the area during use, ensure to operate the appliance with extra care for safety purposes. Keep its power cord safely kept away and out of reach during use to avoid unwanted accidents.
- When filling the Electric Kettle with water, use the water window to identify the amount of water. In addition, ensure that the water to be heated is sufficient enough for boiling without drying its contents.
- Do not heat the kettle without any water.
- Ensure that the electric kettle's bottom and base are completely dry before use to avoid risks of electric shock.
- Before and during heating, ensure that the lid is properly closed. In addition, do not open its and/or even move the kettle during use.
- Always unplug the power adapter if you are done using your Electric Kettle and allow it to cool down before doing any cleaning, relocation, and/or appliance maintenance.
- When unplugging its power adapter, do not pull or tug its cord. Hold the power adapter firmly on its base when unplugging it from the power outlet. Also, ensure that its power cord is kept away from any source of heat and/or sharp edges that may cause external damage to the cord.
- During use, it is highly recommended to shorten the distance between the power outlet and giral base to reduce and/or avoid hazards resulting from entanglement and/or tripping.
- During use, always ensure that the lid is closed and do not lift it while the water is boiling. Scalding may occur if the lid is removed during heating.
- Do not immerse or expose your Electric Kettle's base and/or its power cord to water or any kind of liquid substance.
- This product can only be used to heat water. Other soluble drinks (e.g. coffee, soup, milk, etc.) should not be heated in the kettle.
- When pouring boiling water, ensure to handle the kettle carefully.
- Do not touch (or hold) its surface upon boiling water. Use its handle in lifting the kettle.
- Your Aztech Electric Kettle is not intended for people with reduced physical, sensory or mental capabilities, and/or lack of experience or knowledge. Constant supervision (from a person responsible for their safety) should be provided if such individuals would be using, cleaning, or operating, the appliance.

PACKAGE CONTENTS

- AEK6630 Electric Kettle
- Limescale Filter
- 360° Gyrat Base
- Easy Start Guide
- User Manual
- Warranty Policy

APPLIANCE OVERVIEW

ELECTRIC KETTLE COMPONENTS



- | | |
|---------------------------|---------------------------|
| 1. Main Body | 7. Handle |
| 2. Spout | 8. 360° Gyrat Base |
| 3. Lid | 9. Temperature Indicators |
| 4. Lid Release Button | 10. Set Button |
| 5. Water Window | 11. Keep Warm Button |
| 6. Control Panel with LCD | 12. ON/OFF Button |

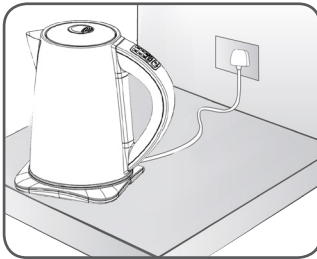
BEFORE USE

Before first use, fill the kettle with the right amount of water (just below spout), bring to boil then discard boiled water. Do this process TWICE. This will ensure that residues left from the manufacturing process are completely removed before using it for boiling water.

USING THE ELECTRIC KETTLE

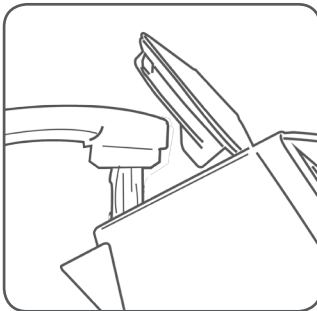
TIPS IN USING YOUR ELECTRIC KETTLE

- Before use, please check if the power voltage of your Electric Kettle correctly corresponds to your home's power supply.
- Ensure to position your Electric Kettle on a smooth, dry, and stable ground.
- Do not position the appliance in a humid environment and/or in places exposed to multiple sources of heat such as stoves, refrigerators, or ovens. It is also important to keep it away from flammable/combustible materials especially during use.
- When filling the kettle, ensure that water is kept between the minimum (0.5L) and maximum (1.7L) mark and that the water is sufficient enough since the kettle will automatically switch off if its content immediately dries up.



STEP 1: Position your Kettle

- a. Position the base on a smooth, flat and dry surface.
- b. The underside of the base is fitted with a cable storage feature. Unwind the length of the cord required to reach the power outlet and plug its power adapter to a power outlet.

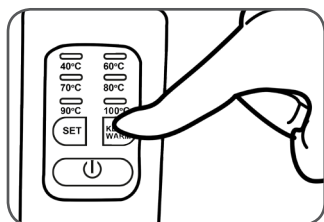
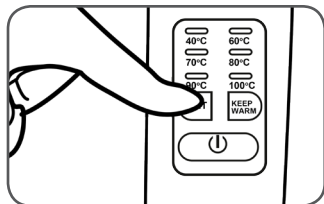
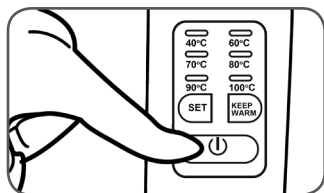


STEP 2: Fill Kettle

- a. Lift the kettle from the base and press the lid release button to open the lid.
- b. Fill the kettle with cold water just below the spout. Ensure that the kettle's water is between the minimum 0.5L and maximum (1.7L) marks.
- c. Close the kettle's lid and place the kettle back to its base. Ensure that the lid is securely closed.

STEP 3: Select Function

BOIL WATER



NOTE: The Keep Warm function will only work for a maximum of 30 minutes.

- **Option A.** Press the ON/OFF button, by default this will boil the water up to 100 °C. Once done, the kettle will turn OFF.
- **Option B.** Press the ON/OFF button, then use the SET button (press and hold for 3 seconds) to shift and select your desired water temperature (40°C , 60°C , 70°C , 80°C , 90°C , 100°C). The last temperature (indicated by its corresponding LED) selected will take effect. Once done, the kettle will turn OFF.

KEEP HOT WATER WARM

During any of the provided water boiling procedure options, press the KEEP WARM button.

- **If the water temperature is 100°C**, the kettle will first wait for the water temperature to cool down and reach 90°C before entering KEEP WARM mode.
- **If you have selected a temperature (e.g. 40°C)**, the kettle would immediately enter KEEP WARM mode once the water has reached the selected temperature.

BOIL-DRY PROTECTION

Should you accidentally allow the kettle to boil without any water (or insufficient water), your electric kettle's boil-dry protection will automatically switch off your appliance. If this occurs, simply allow your kettle to cool down first before reuse.

KETTLE CARE AND CLEANING

NOTE: Do not immerse the kettle, its power cord, including its base in water and/or in any kind of liquid substance.

CLEANING THE KETTLE

1. Please unplug the power adapter and allow the kettle to cool down.
2. Using a damp cloth, wipe off its external surface to remove dirt and/or other particles. Please do not abrasive products since these may damage the appliance's surface.

REMOVING LIMESCALES

Limescale removal is essential to help keep your Electric Kettle maintain its heating performance. This can be done through the following steps below:

1. Pour sufficient amount of vinegar into the Electric Kettle. Ensure that the limescaled areas are soaked in vinegar. Let the limescale get soaked in the vinegar for 15 minutes.
2. Drain the vinegar then rinse the inner kettle thoroughly for five (5) times using clean water.
3. Add in 0.5L water to the pot, allow it to boil, then add 25g of citric acid. Allow it to soak the limescale for 15 minutes before draining it again.
4. Using clean water, rinse the inner kettle thoroughly again for five (5) times

TROUBLESHOOTING

PROBLEM	POSSIBLE REASON
1 The Electric Kettle turns OFF automatically even before boiling	Limescale buildup. Remove limescales as needed. Please refer to the Kettle Care and Cleaning section. There is an inadequate amount of water in the kettle. This activates the boil-dry protection of your device. Add more water into the kettle, allow it cool down, then reboil.
2 The Electric Kettle does not work	Check if its power adapter is plugged into a power outlet. If the dry-boil protection is activated, the appliance will stop any operation.
3 The boiled water has a peculiar smell	For first time use, this is normal. Boil a mixture of two tablespoons of Baking Soda with water. Allow it to cool down and rinse as necessary.
4 The boiled water seems dirty	Limescale buildup. This kind of water is caused by calcium carbonate and magnesium carbonate. Please refer to the Kettle Care and Cleaning section.

Aztech